

DATA SHEET



- Kit includes:
- Steering Wheel Switch Panel
 - Infra-red Transmitter
 - Relay Control Module
 - Multi coloured Label Sheet
 - UV Florescent Label Sheet (glow in dark under UV light)
 - Flying Leads



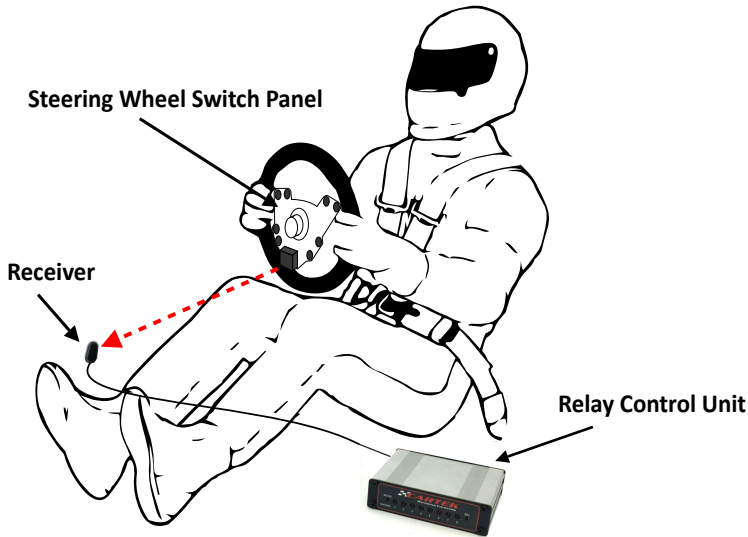
The Wireless Control System from CARTEK is the quickest and easiest way to install pushbutton controls to a detachable racing steering wheel.

The system has eight pushbutton switches which are wirelessly linked to eight (10 Amp) relays.

These relays are microprocessor controlled and individually configurable to provide a choice of functions including momentary, latching and flashing modes for uses such as: PTT radio, pit lane limiter, dash menus, lights, indicators, etc..

FEATURES

- 8 Pushbutton channels (or 6 + 2 gear shift paddles).
- Wireless link between steering wheel and dashboard. 360 Degrees.
- Compatible with any make and type of quick release hub.
- 8 Independent relay channels (10A rated contacts).
- Configurable relay functions including:
 - Momentary action
 - Latching (with memory)
 - Latching (without memory)
 - Flashing (slow speed - minimum 5 seconds)
 - Flashing (slow speed - latching. For indicators or Hazards etc)
 - Flashing (fast speed - minimum 3 flashes. For flashing headlights etc)
- Fast response time, suitable for electronic gear shifting.
- 2 Label sheets allowing for full customisation.
- Battery powered. Long life with battery condition indication.



PARTS LIST



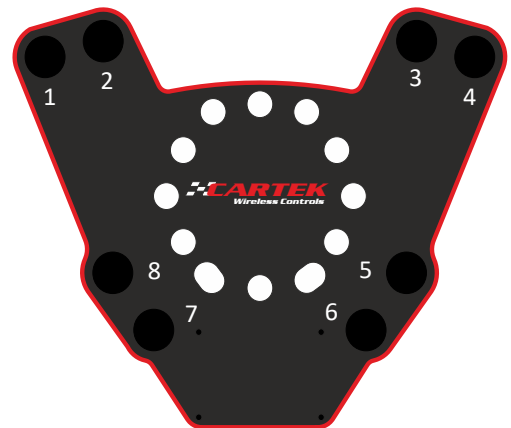
PART NO	DESCRIPTION
CK-WX-09	Wireless Control system (Standard) 8 Button Steering Wheel Panel
CK-WX-07	Wireless Control system (Paddleshift) 6 Button Steering Wheel Panel with 2 gearshift paddles

DATA SHEET

SPECIFICATION

RELAY CONTROL UNIT	
SIZE:	W=108 mm, H=30 mm, L=85 mm
WEIGHT:	240g
MATING CONNECTORS:	2 x 8 Way MOLEX Minifit (Molex mating connector part number : 39-01-2080) 1 x 2 Way MOLEX Minifit (Molex mating connector part number : 39-01-2020) Molex Minifit crimps for connectors part number : 39-00-0047
POWER:	12V
RELAY CURRENT RATING:	10A
RESPONSE TIME:	70MS
STEERING WHEEL SWITCH PANEL	
SIZE:	W=194 mm, H=160 mm
WEIGHT:	220g (INC BATTERY)
POWER:	INTERNAL BATTERY MN21 (LAST APPROX 3 YEARS)

PIN OUT



Connector 1

(Molex mating connector part number : 39-01-2080)

- Pin 1 - Channel 8 Input (power or gnd)
- Pin 2 - Channel 7 Input (power or gnd)
- Pin 3 - Channel 6 Input (power or gnd)
- Pin 4 - Channel 5 Input (power or gnd)
- Pin 5 - Channel 8 Output (power or gnd)
- Pin 6 - Channel 7 Output (power or gnd)
- Pin 7 - Channel 6 Output (power or gnd)
- Pin 8 - Channel 5 Output (power or gnd)

Connector 2

Jack Plug - Infrared Sensor

Connector 3

(Molex mating connector part number : 39-01-2020)

- Pin 1 - 12V
- Pin 2 - GND

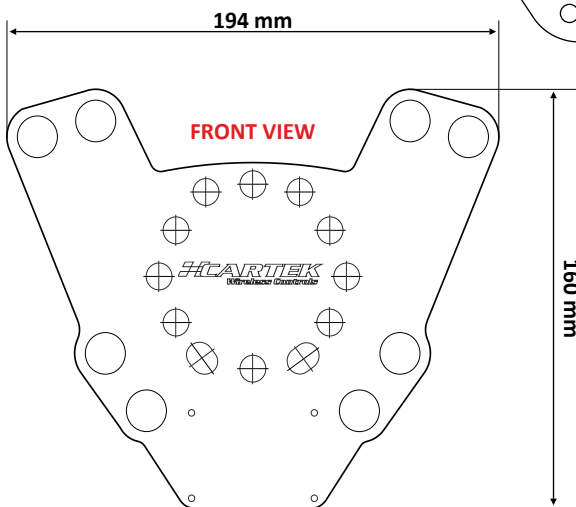
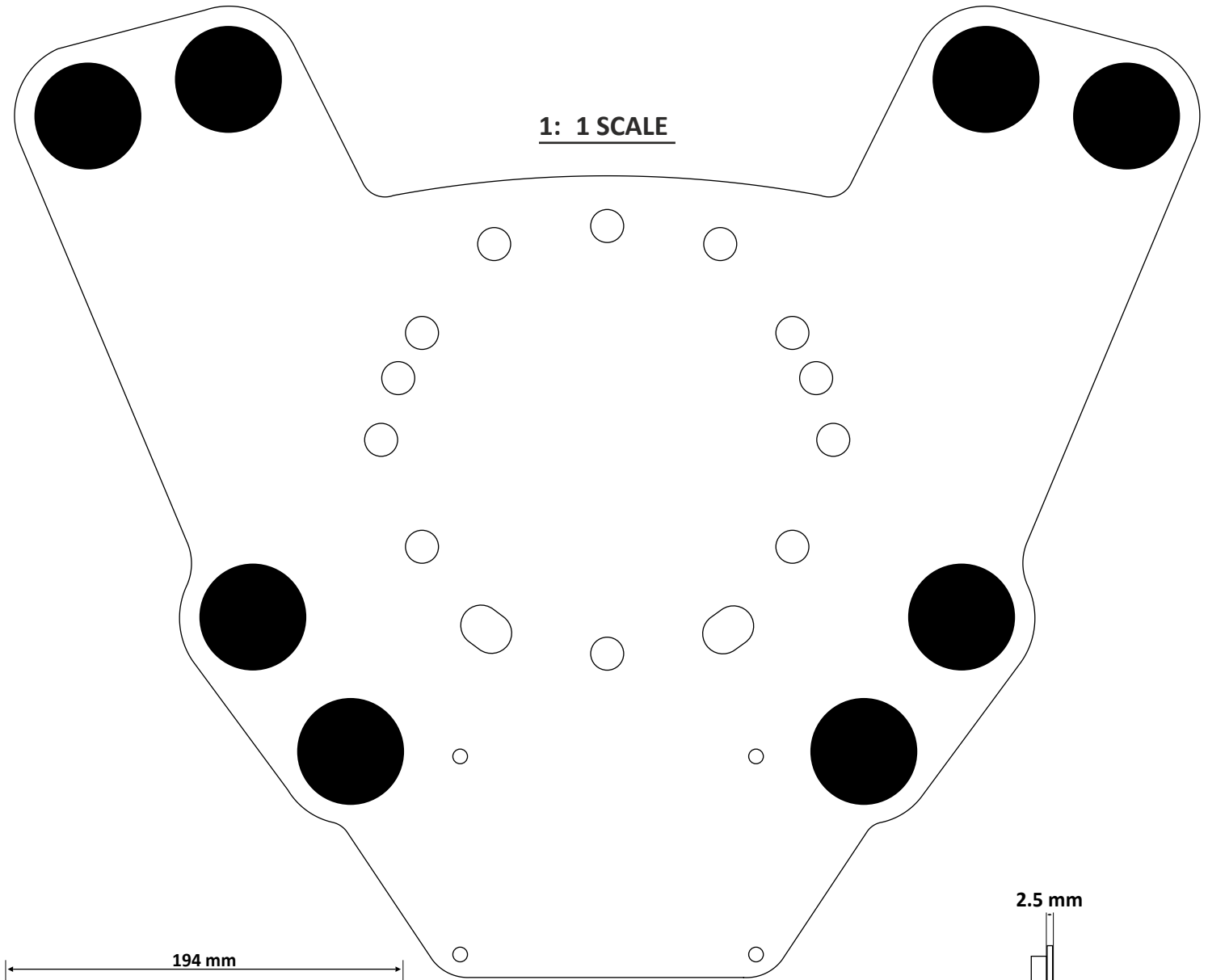
Connector 4

(Molex mating connector part number : 39-01-2080)

- Pin 1 - Channel 4 Input (power or gnd)
- Pin 2 - Channel 3 Input (power or gnd)
- Pin 3 - Channel 2 Input (power or gnd)
- Pin 4 - Channel 1 Input (power or gnd)
- Pin 5 - Channel 4 Output (power or gnd)
- Pin 6 - Channel 3 Output (power or gnd)
- Pin 7 - Channel 2 Output (power or gnd)
- Pin 8 - Channel 1 Output (power or gnd)

DATA SHEET

DIMENSIONS



DO NOT SCALE

